

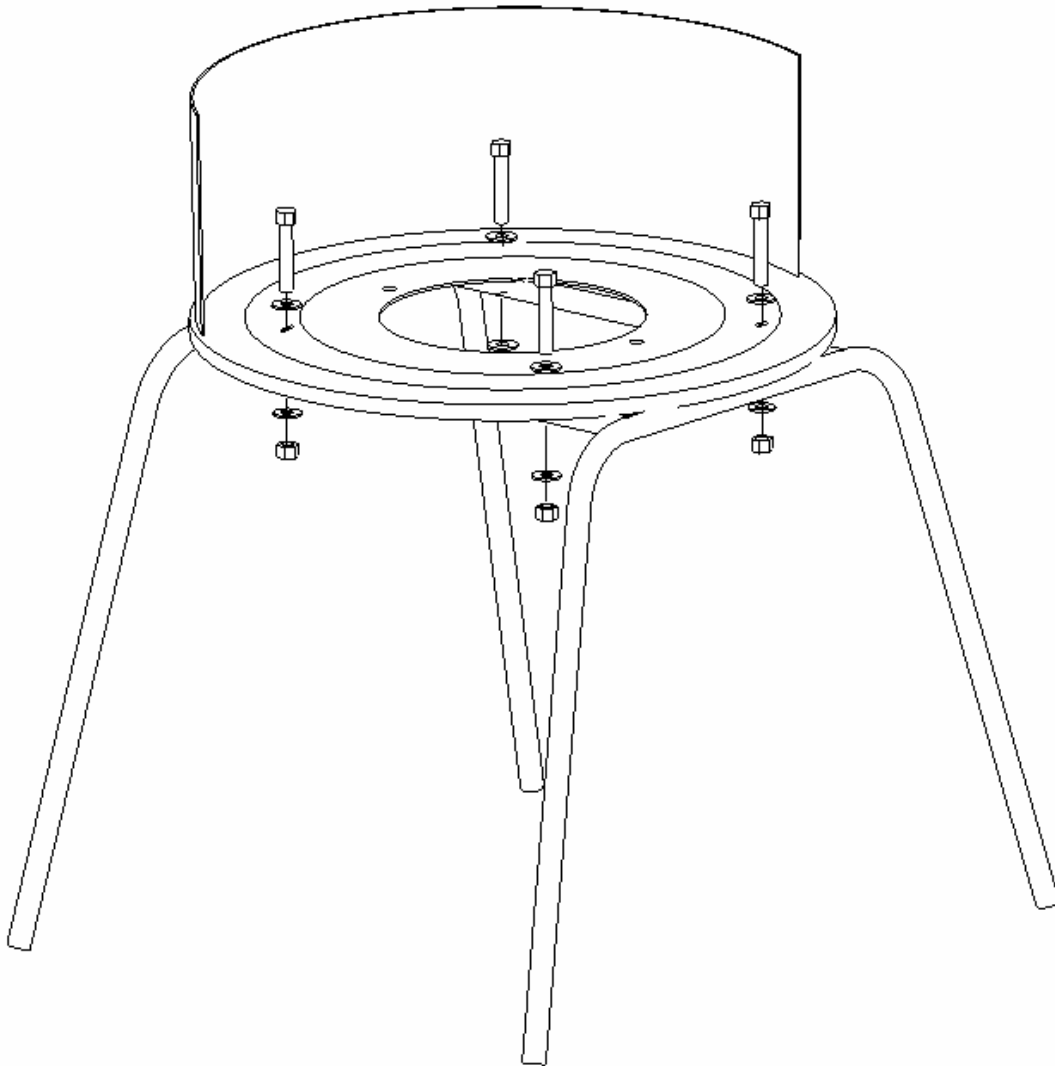
Scattergrain Peckfeed

This is a demand type feeder, which allows birds continuous access to clean dry feed. It has a metal hopper and lid fixings, which deter vermin. The flow control is very simple and practically “un-blockable”. It is capable of being shut completely off if required.

Instructions for Use

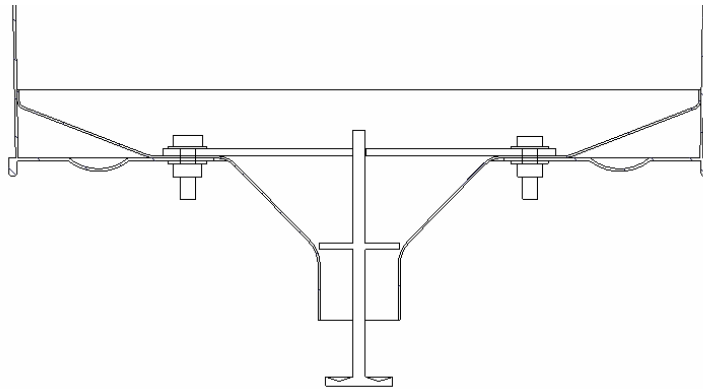
1. Remove all packaging and components from inside the bin
2. Fit the stand using the M8 bolts and washers provided

Vis:



3. The unit is supplied with the peck tab control attached to the hopper. Remove the M8 bolts and reassemble, passing the bolts through the hopper, then the peck tab and through the bin outlet from the inside.

Vis:



4. Adjustment of the flow of grain or pellets is controlled by the clearance between the valve disc and the hopper throat. Turning the tab clockwise (viewed from the top) reduces flow and vice versa.
5. The birds quickly learn to peck the tab to shake grain out. A few grains caught on the tab attract interest. Set the tab so that only a few grains fall when it is tapped with the finger.

Brinsea Products Ltd, Station Road, Sandford, N. Somerset. BS25 5RA
Tel: (01934) 823039 Fax: (01934) 820250
www.brinsea.com e-mail: info@brinsea.co.uk